



UKRINMASH



DESIGN DOCUMENTATION



UKROBORONPROM
Ukrainian Defence Industry



CONTENT



- 2 ARMOURED VEHICLES
- 8 ROCKET AND MISSILE ARTILLERY WEAPONS
- 14 RADIO AND RADIOELECTRIC SYSTEMS
- 18 AIRCRAFT ENGINEERING
- 22 SHIPBUILDING AND NAVAL EQUIPMENT
- 26 RADIO COMMUNICATION
- 30 SPACE SYSTEMS
- 34 **AGGREGATES** for hydraulic systems of aircrafts,
space systems, military vehicles and shipbuilding

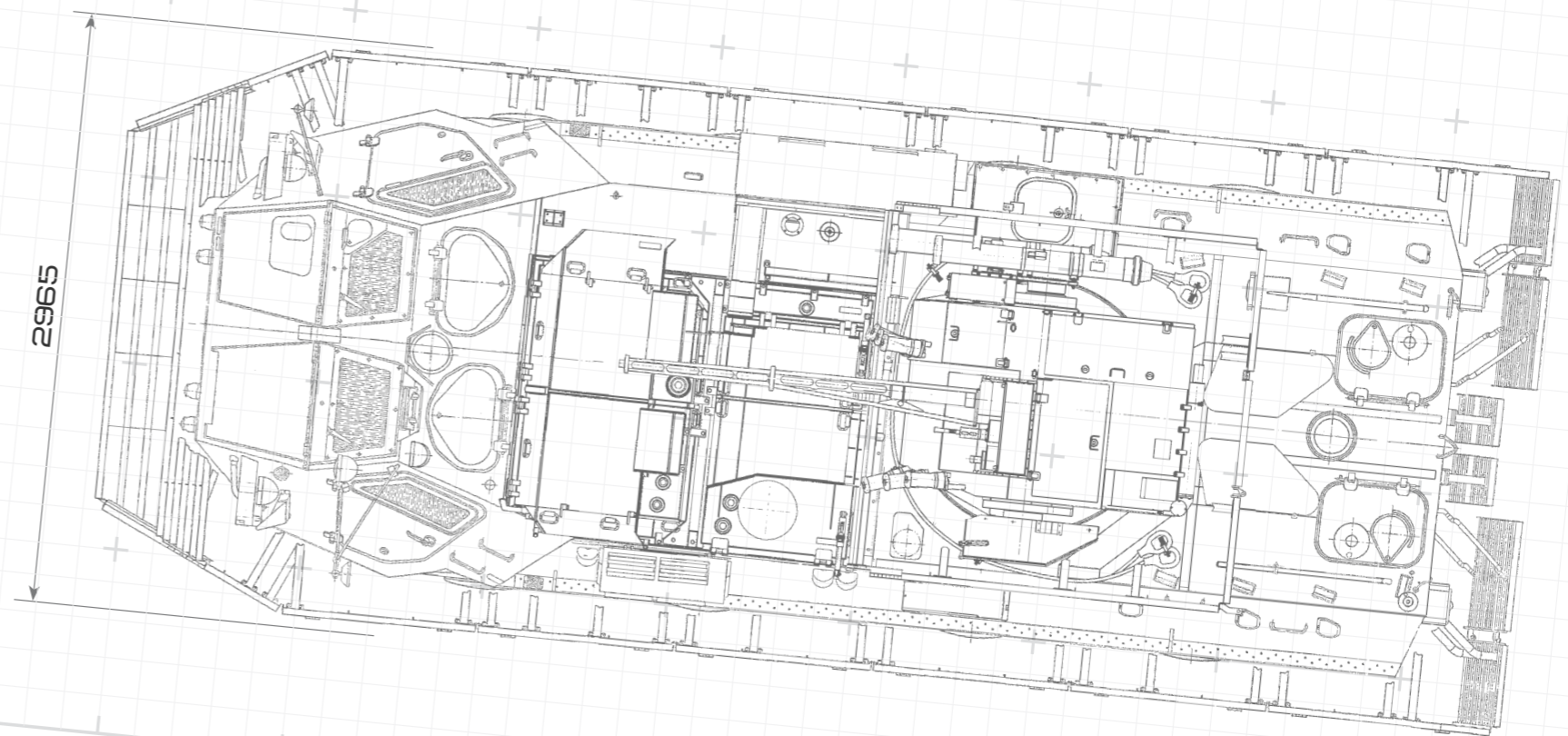
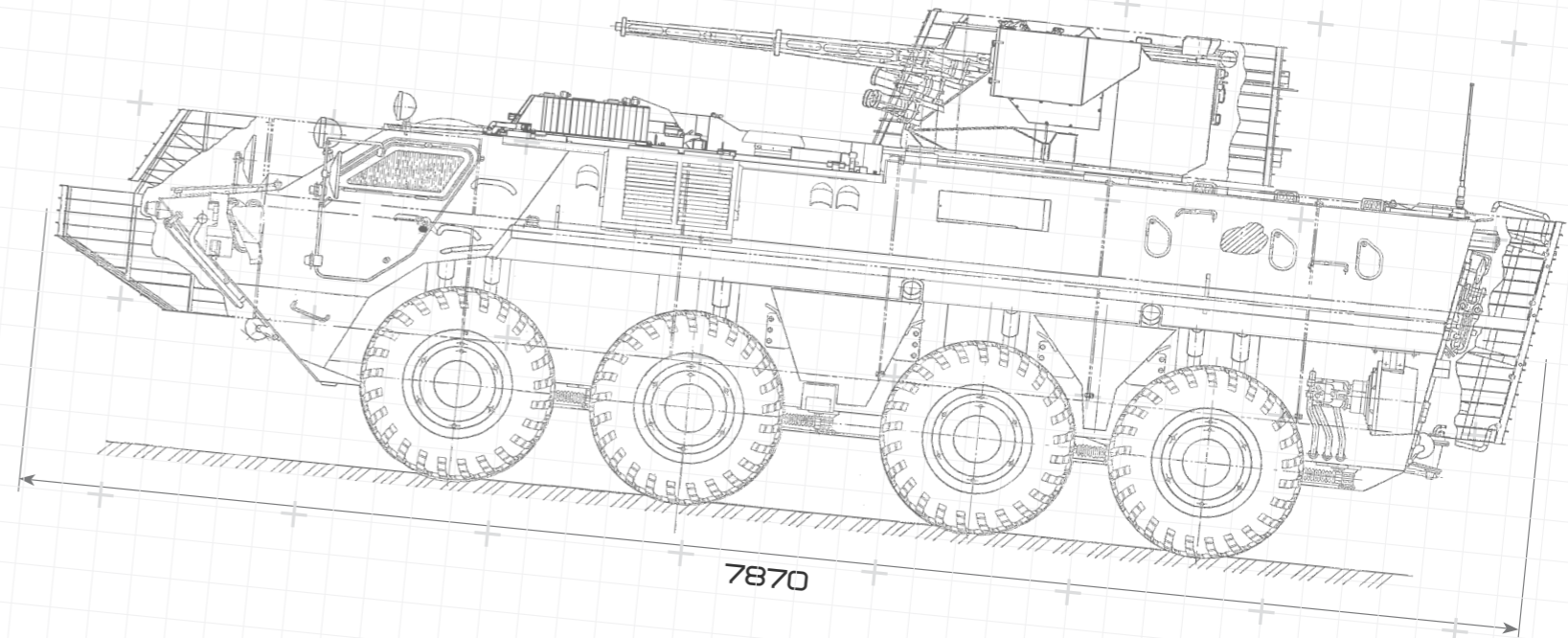


ARMoured VEHICLES

▶ DESIGNING AND MANUFACTURE OF MAIN BATTLE TANKS, INFANTRY COMBAT VEHICLES

▶ DESIGNING AND MANUFACTURE OF ARMoured PERSONNEL CARRIERS

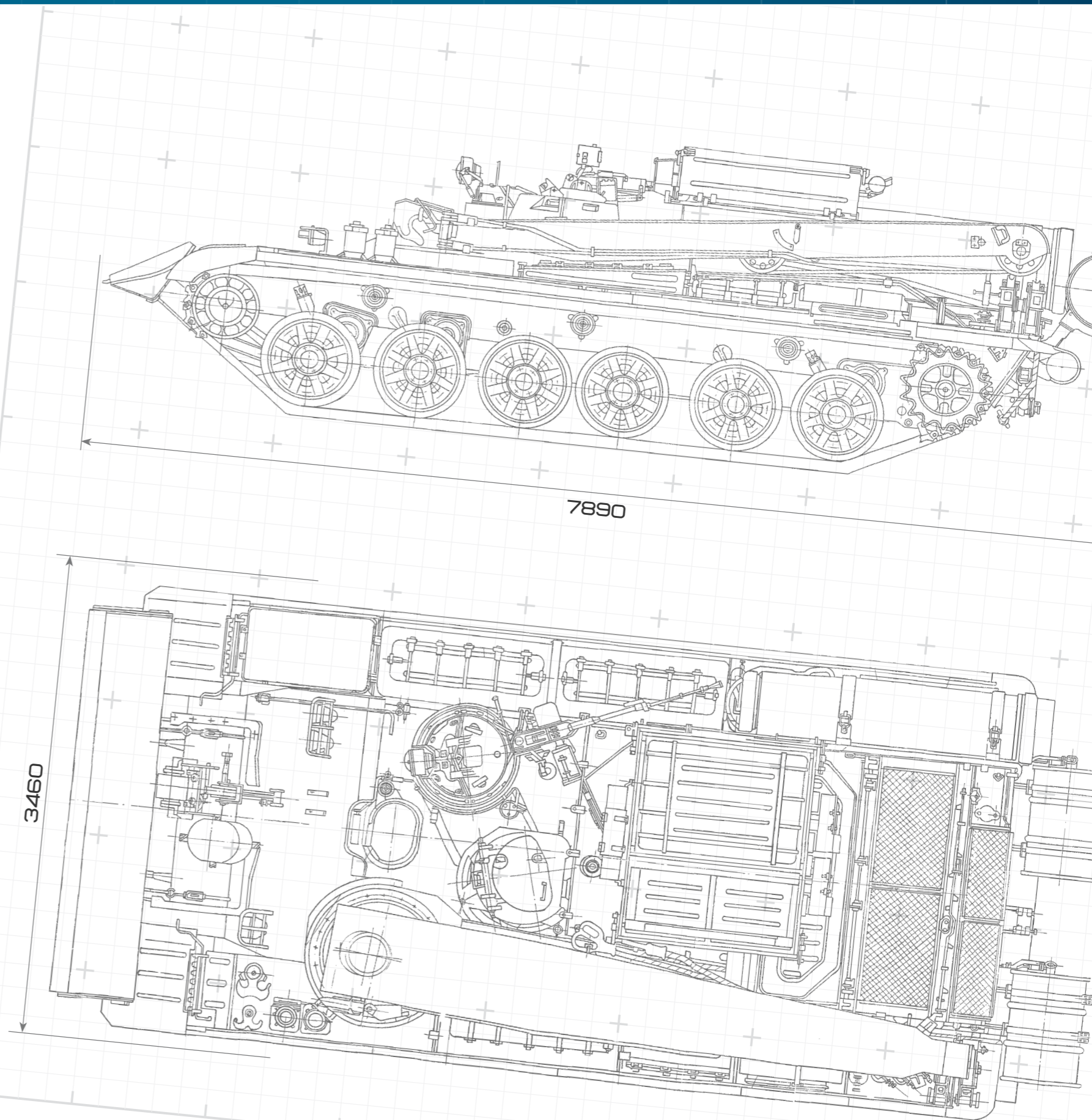
▶ DESIGNING AND MANUFACTURE OF MULTIPURPOSE COMBAT VEHICLES WITH CONFIGURATION 4X4





ARMoured VEHICLES

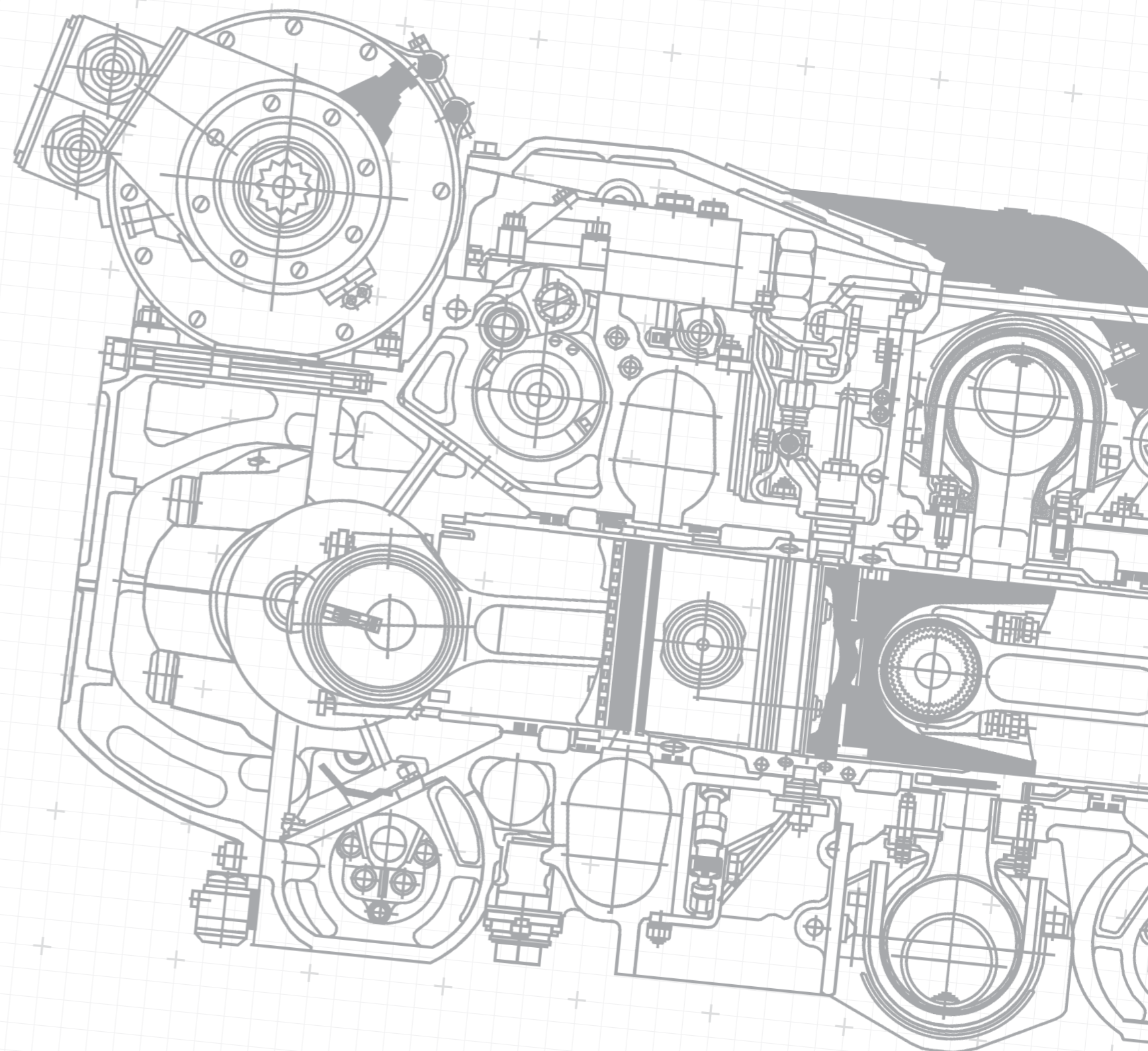
- ▶ UPGRADE OF OLD BATTLE TANKS
- ▶ UPGRADE OF ARMoured PERSONNEL CARRIERS, COMBAT RECONNAISSANCE VEHICLE, ETC.
- ▶ DESIGNING AND MANUFACTURE OF ENGINEERING VEHICLES
- ▶ DESIGNING AND MANUFACTURE OF ARMoured MAINTENANCE-RECOVERY VEHICLES





ARMoured VEHICLES

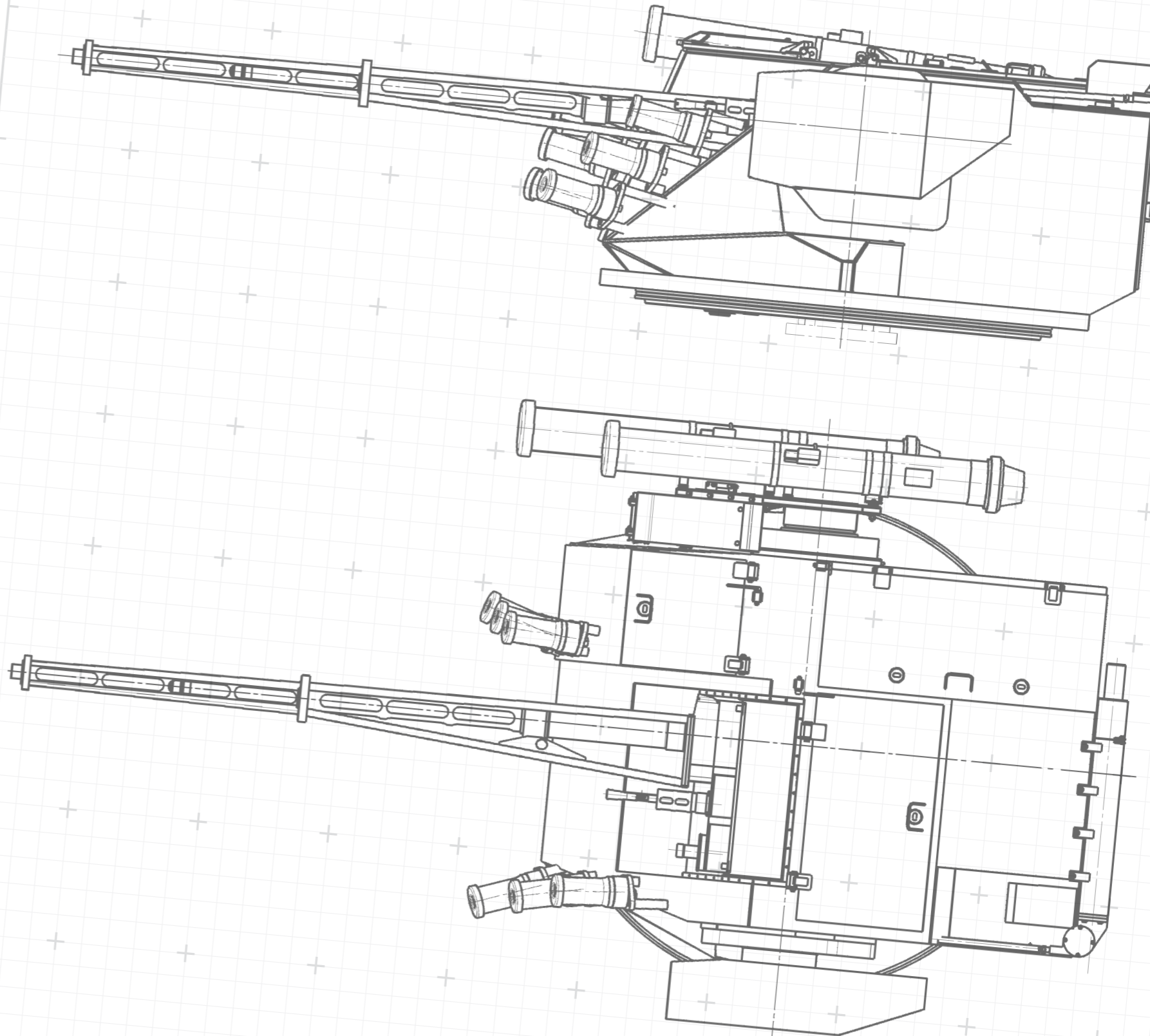
- ▶ DESIGNING AND MANUFACTURE OF ADVANCED TECHNOLOGY TRAINING RESOURCES FOR COMBAT ARMoured VEHICLES
- ▶ MANUFACTURE OF CUTTING-EDGE DIESEL ENGINES FOR TANKS, WHEELED AND TRACKED VEHICLES
- ▶ UPGRADE OF ENGINES OF OLD TANKS





ROCKET AND MISSILE ARTILLERY WEAPONS

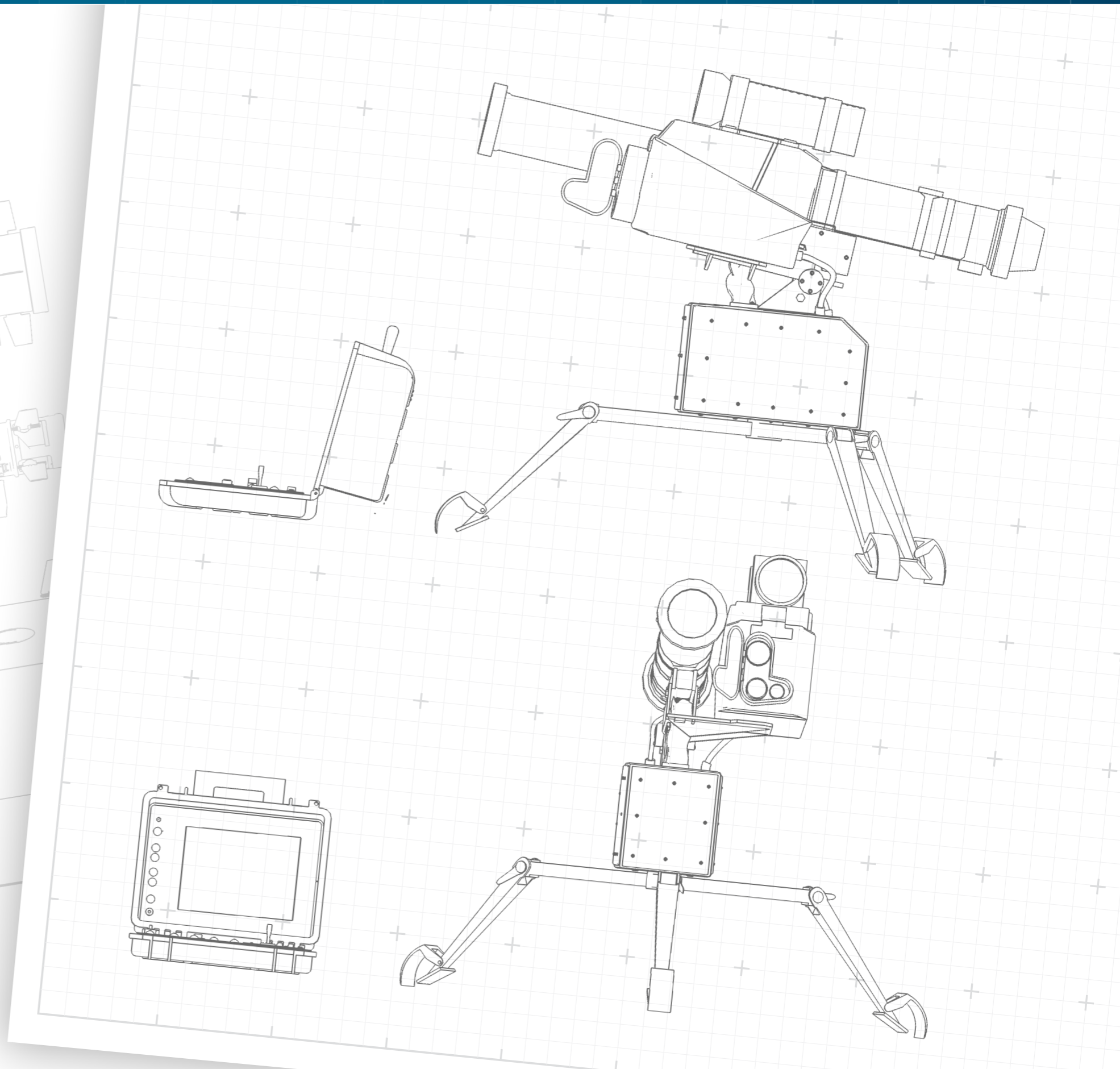
- ▶ MODERN ARTILLERY WEAPONS
- ▶ ARTILLERY WEAPONS AND CLOSE COMBAT WEAPONS
- ▶ REMOTELY OPERATED COMBAT MODULES OF DIFFERENT CONFIGURATION FOR ARMoured VEHICLES AND ARMoured BOAT





ROCKET AND MISSILE ARTILLERY WEAPONS

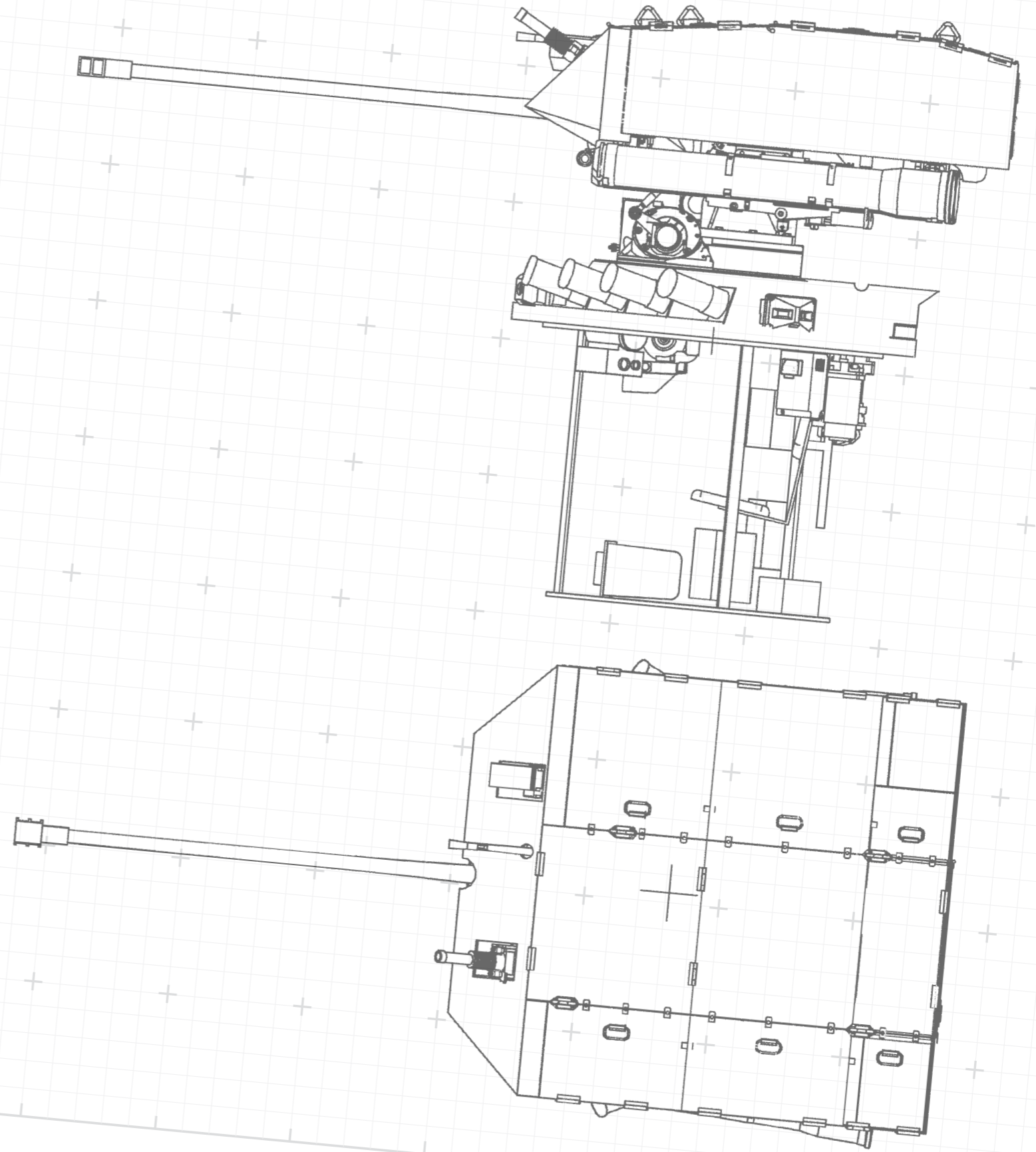
- ▶ GROUND- AND AIR-BASED ANTITANK MISSILE SYSTEM
- ▶ CONTROL SYSTEMS OF ANTITANK MISSILE SYSTEM OF HELICOPTER AND GROUND EQUIPMENT
- ▶ CONTROL SYSTEM OF MISSILES AND OTHER GUIDED WEAPONS
- ▶ AIMING, TARGETING AND CONTROL SYSTEMS FOR ARMoured VEHICLES, COMBAT HELICOPTERS AND ARTILLERY
- ▶ STABILIZERS OF WEAPON AND EQUIPMENT FOR ARMoured VEHICLES





ROCKET AND MISSILE ARTILLERY WEAPONS

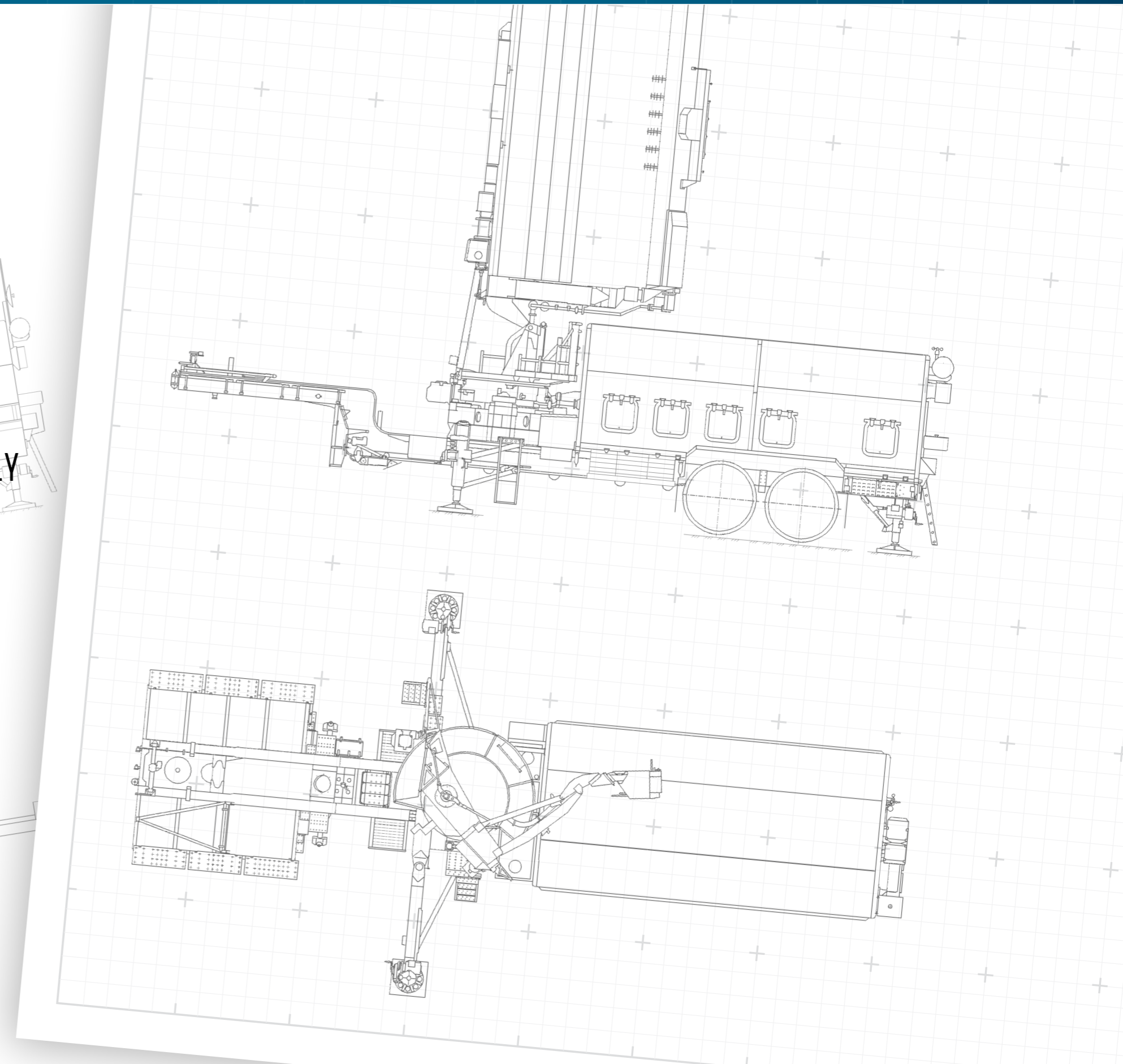
- ▶ NIGHT-VISION DEVICES
- ▶ RADAR HOMING DEVICES
- ▶ CONTROL SYSTEM OF GUIDED WEAPONS
- ▶ UNITS OF ELECTRIC CONTROL ACTUATOR FOR AIR MISSILES, SURFACE-TO-AIR MISSILES, ANTITANK MISSILES AND SEA-BASED MISSILES
- ▶ SIMULATORS OF ANTITANK MISSILE SYSTEMS
- ▶ DESIGNING OF AMMUNITION OF DIFFERENT TYPE AND ITS COMPONENTS





RADIO AND RADIOELECTRIC SYSTEMS

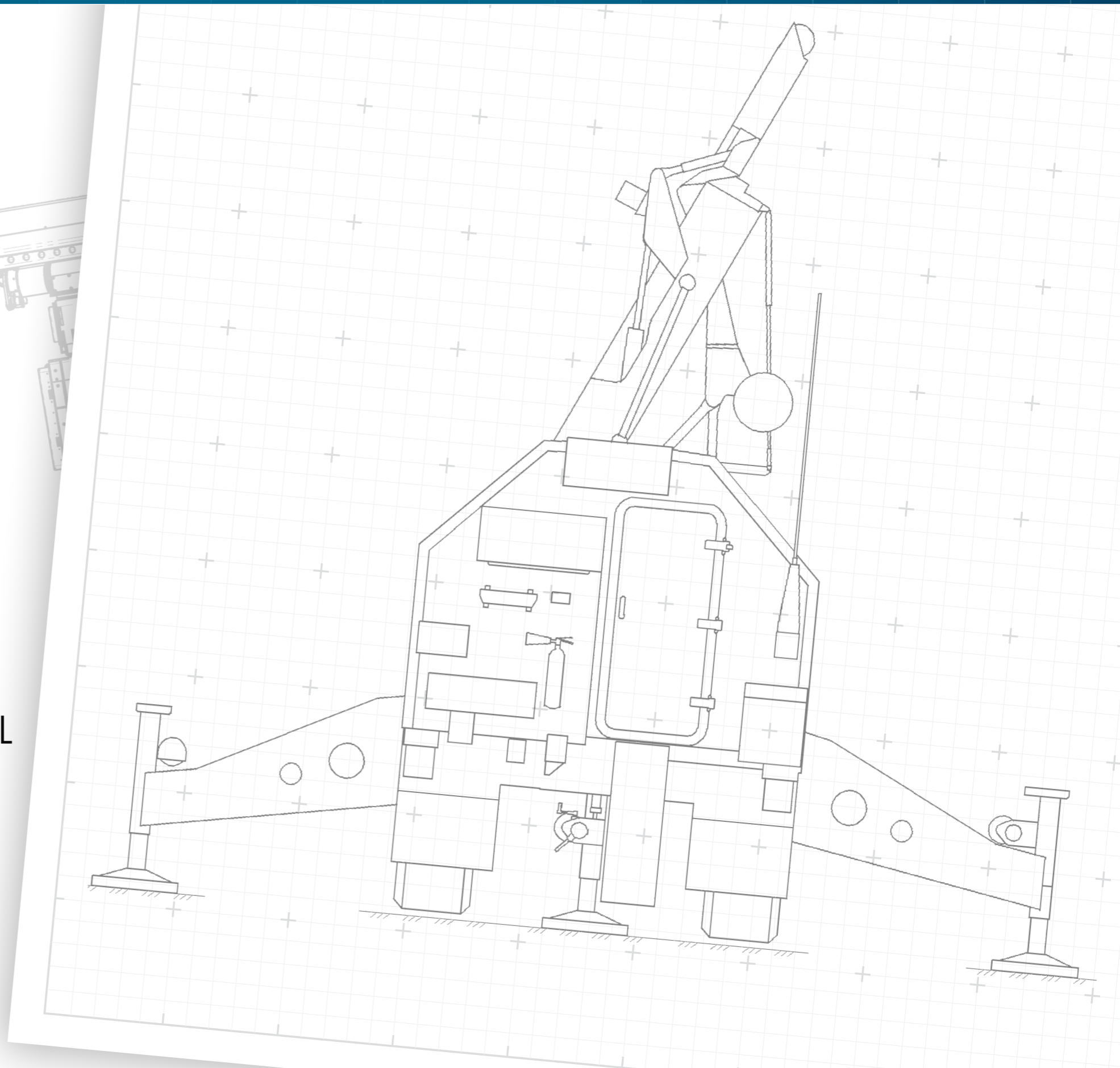
- ▶ DESIGNING AND MANUFACTURE OF RADIO SYSTEMS INCLUDING UNIQUE SYSTEMS OF LONG-RANGE RECONNAISSANCE AND EARLY WARNING SYSTEMS OF AIR DEFENCE
- ▶ ELECTRONIC COUNTERMEASURES
- ▶ AUTOMATED GUIDANCE SYSTEMS OF ARTILLERY AND MISSILE SYSTEMS





RADIO AND RADIOELECTRIC SYSTEMS

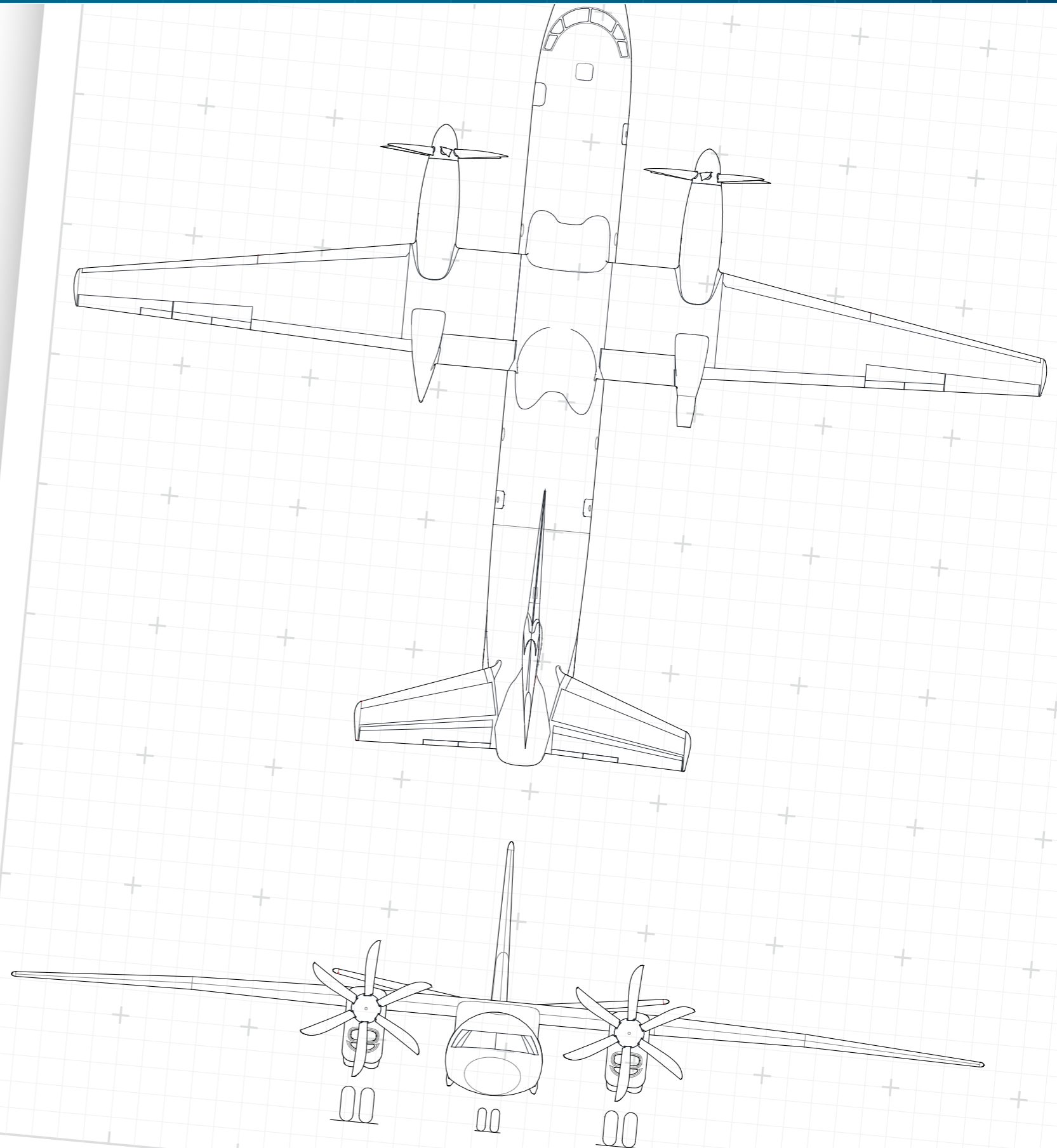
- ▶ RADIO SURVEILLANCE DEVICES
- ▶ ELECTRONIC SURVEILLANCE DEVICES
- ▶ JAMMING SYSTEMS
- ▶ AIMING RADARS
- ▶ PASSIVE ARTILLERY RECONNAISSANCE SYSTEMS
- ▶ RADARS AND SYSTEMS OF ELECTROOPTICAL COUNTERMEASURE TO PRECISION WEAPON
- ▶ TARGETING SYSTEMS TO STRIKE MISSILE WEAPON
- ▶ GENERATING UNITS AND PROPULSIVE DEVICES





AIRCRAFT ENGINEERING

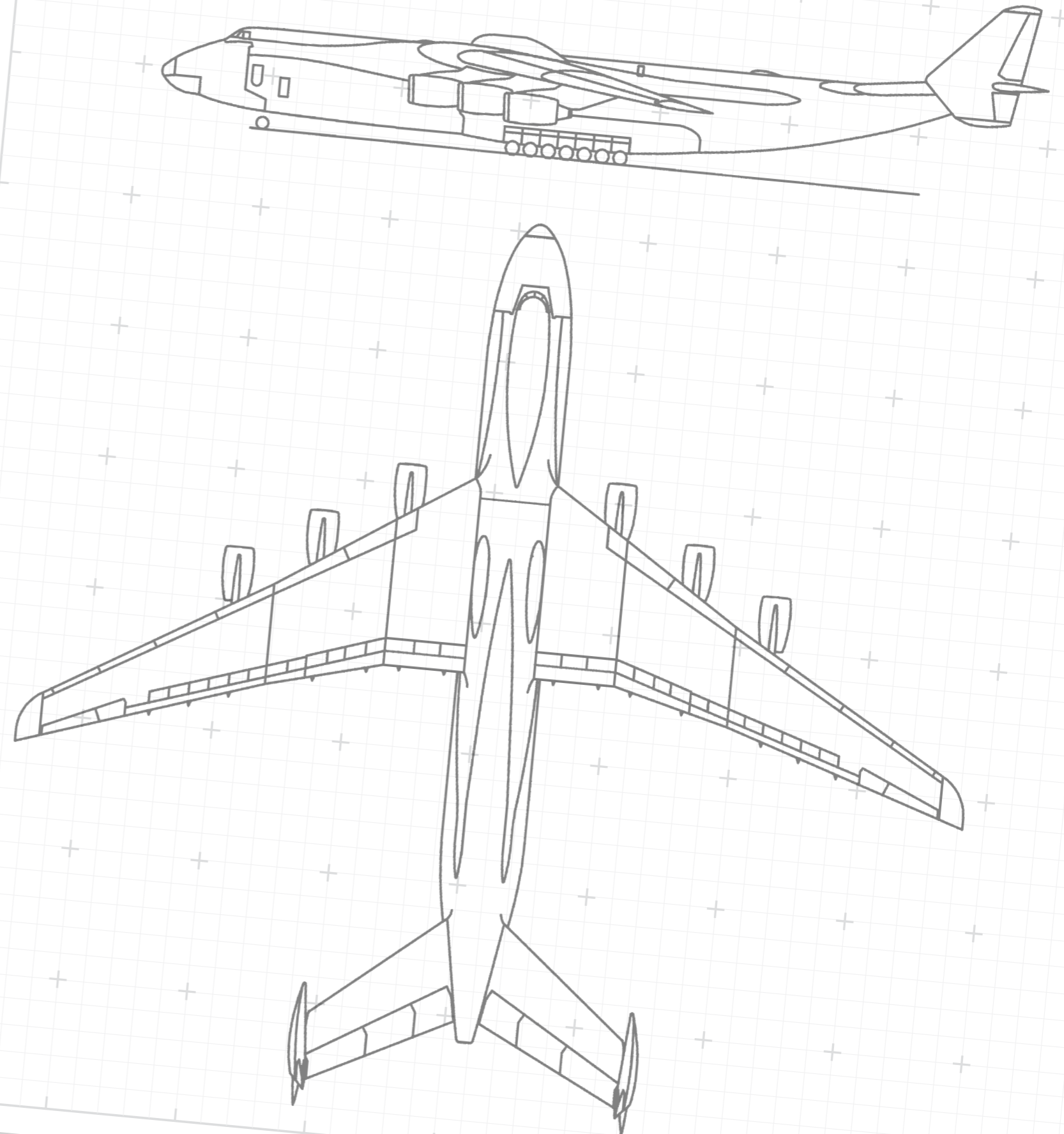
- ▶ DESIGNING AND MANUFACTURE OF CUTTING-EDGE AIRCRAFTS
- ▶ DESIGNING AND MODELING OF SUPERLIGHT AIRCRAFTS
- ▶ DESIGNING AND MANUFACTURE OF UAVS OF DIFFERENT PURPOSE (COMBAT, RECONNAISSANCE, ETC.)
- ▶ DESIGNING AND MANUFACTURE OF DETACHABLE EQUIPMENT AND WEAPONERY FOR AIRCRAFTS
- ▶ INSTRUMENT ENGINEERING IN THE SECTOR OF PRECISION GYROSCOPIC EQUIPMENT
- ▶ REEQUIPMENT AND TESTING OF AVAILABLE AIRCRAFTS





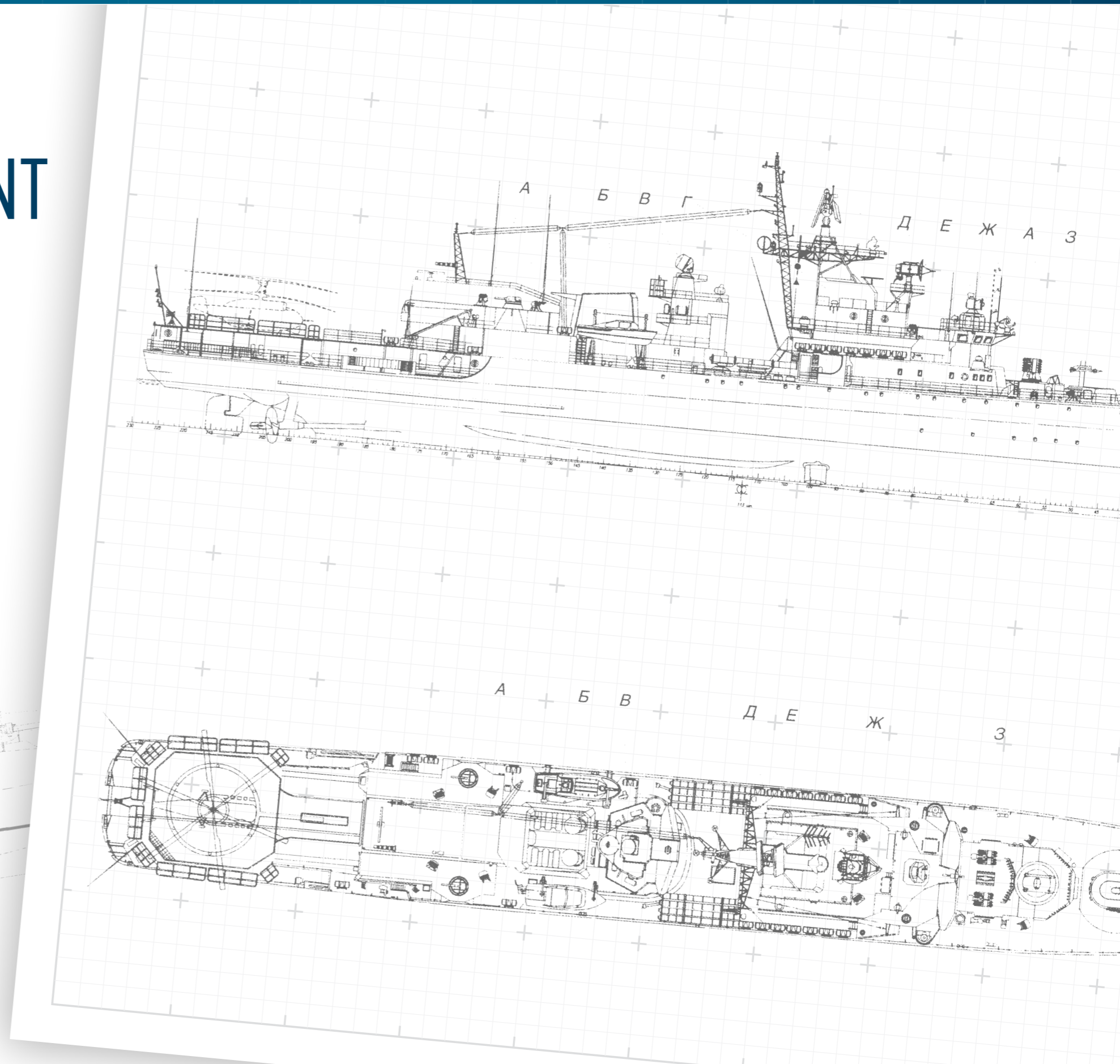
AIRCRAFT ENGINEERING

- ▶ RADIO AND RADIOELECTRONIC EQUIPMENT FOR AIRCRAFTS
- ▶ DESIGNING AND MANUFACTURE OF BOARD RADIOELECTRONIC, RADIO, RADIO-NAVIGATIONAL EQUIPMENT FOR AVIATION
- ▶ DESIGNING OF RADIOELECTRONIC SYSTEMS OF AIRBORNE COLLISION AVOIDANCE SYSTEM (ACAS)
- ▶ DESIGNING, MANUFACTURE, TESTING, CERTIFICATION, SERIAL PRODUCTION AND REPAIR OF GAS-TURBINE ENGINES OF AIR AND CIVIL PURPOSE



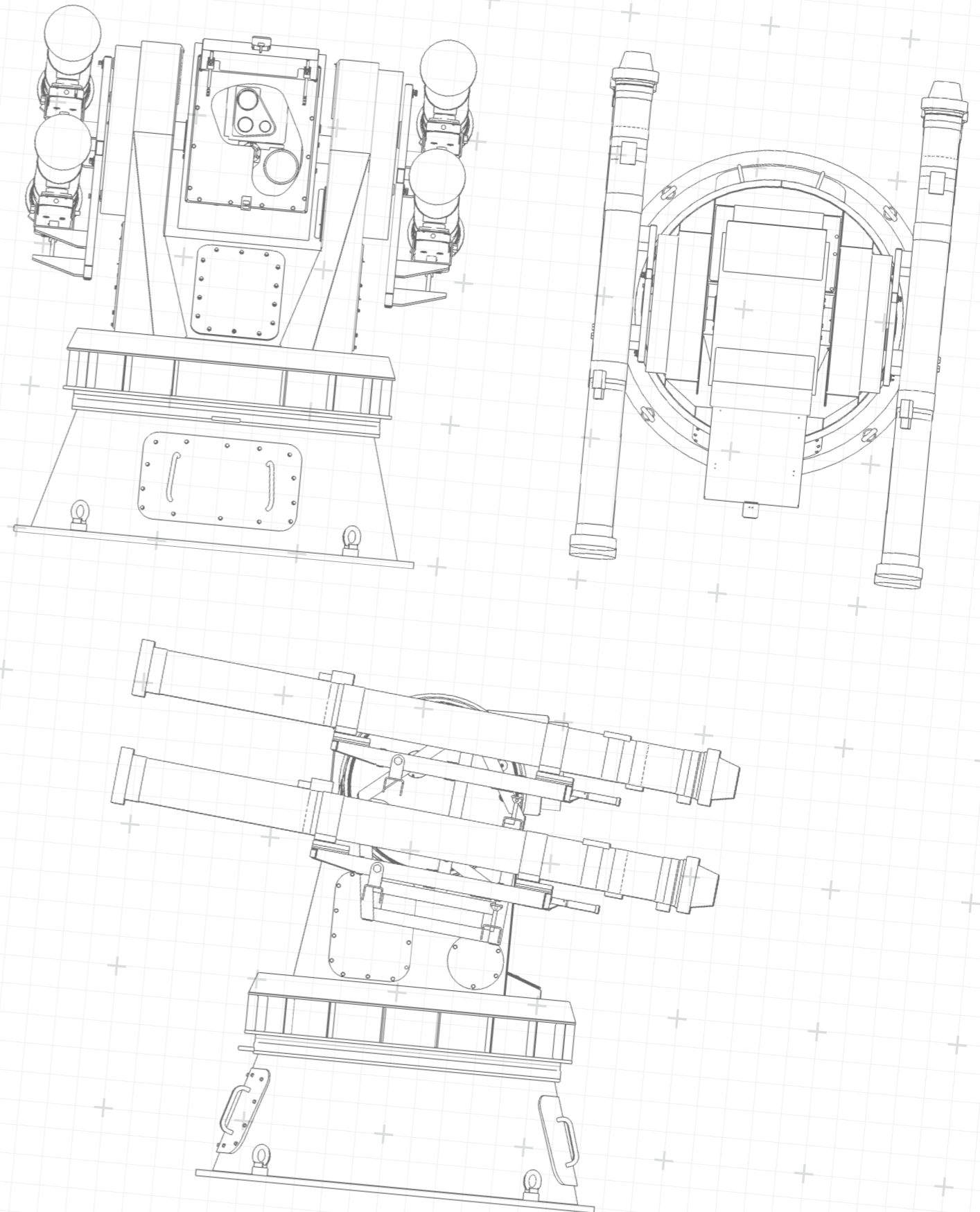
SHIPBUILDING AND NAVAL EQUIPMENT

- ▶ DESIGNING OF COMBAT OVERWATER SHIPS AND BOATS, SERVICE VESSELS AND SPECIAL FLOATING PLATFORMS
- ▶ DESIGNING FOR UPGRADE OF ACTING COMBAT OVERWATER SHIPS AND BOATS
- ▶ RESEARCHING OF NAVAL WEAPONRY AND SHIPBUILDING SCIENCES
- ▶ BASIC AND APPLIED RESEARCHES IN CREATING OF ACOUSTIC AND HYDROACOUSTIC DEVICES
- ▶ SCIENTIFIC AND TECHNICAL SERVICES IN MILITARY SHIPBUILDING



SHIPBUILDING AND NAVAL EQUIPMENT

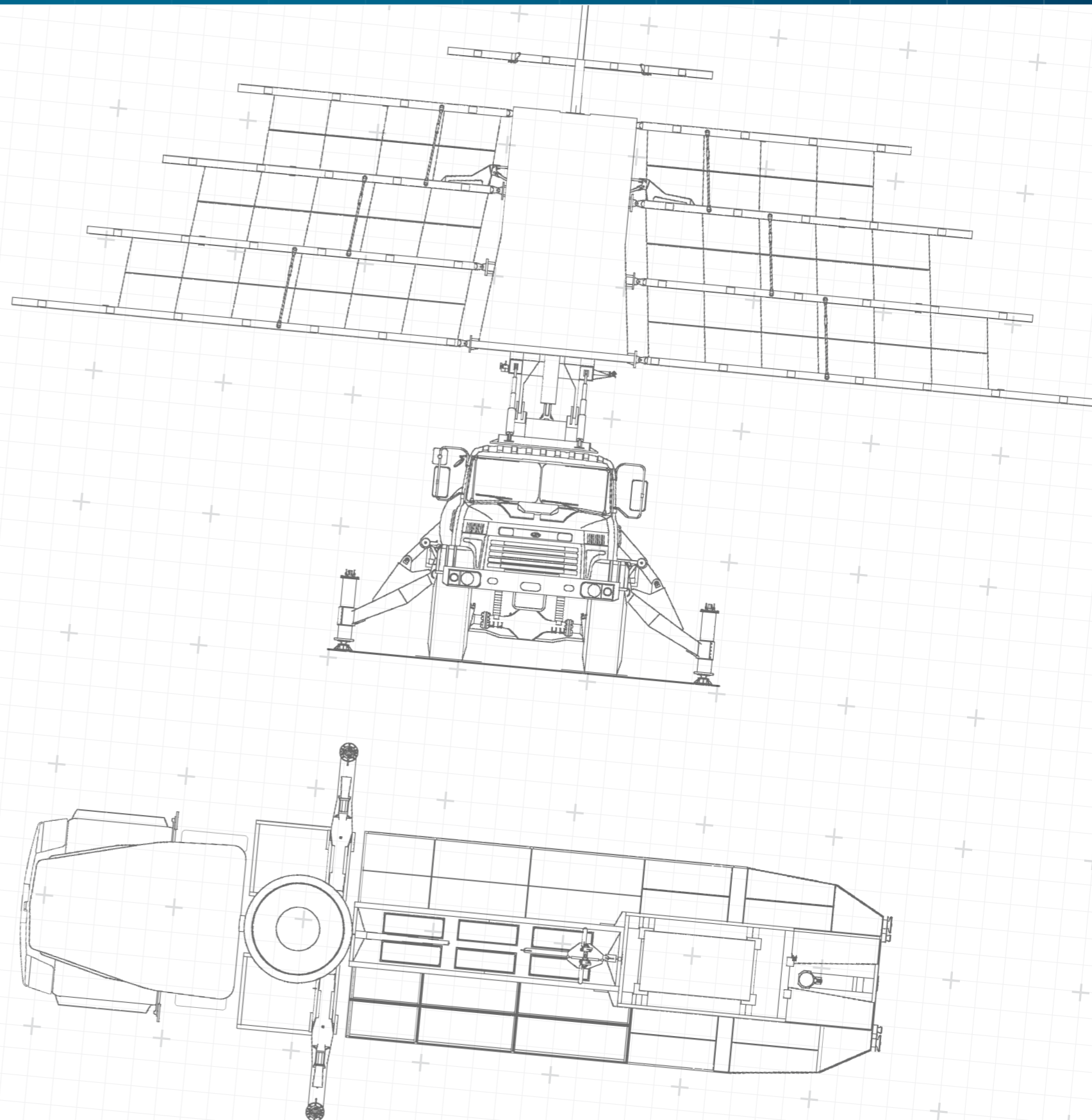
- ▶ TECHNICAL SUPPORT AND SUPERVISION OF SHIP BUILDING PROCESS
- ▶ DESIGNING AND UPGRADE OF MULTIPURPOSE RADAR SHIPBOARD SYSTEMS
- ▶ DESIGNING OF SOPHISTICATED NAVAL INSTRUMENT ENGINEERING
- ▶ CONTROL DEVICES FOR NAVAL WEAPONRY
- ▶ NAVIGATIONAL EQUIPMENT
- ▶ GAS TURBINE CONSTRUCTION FOR SHIPS AND VESSELS, ELECTRICAL ENERGY INDUSTRY AND GAS TRANSMISSION SYSTEM





RADIO COMMUNICATION

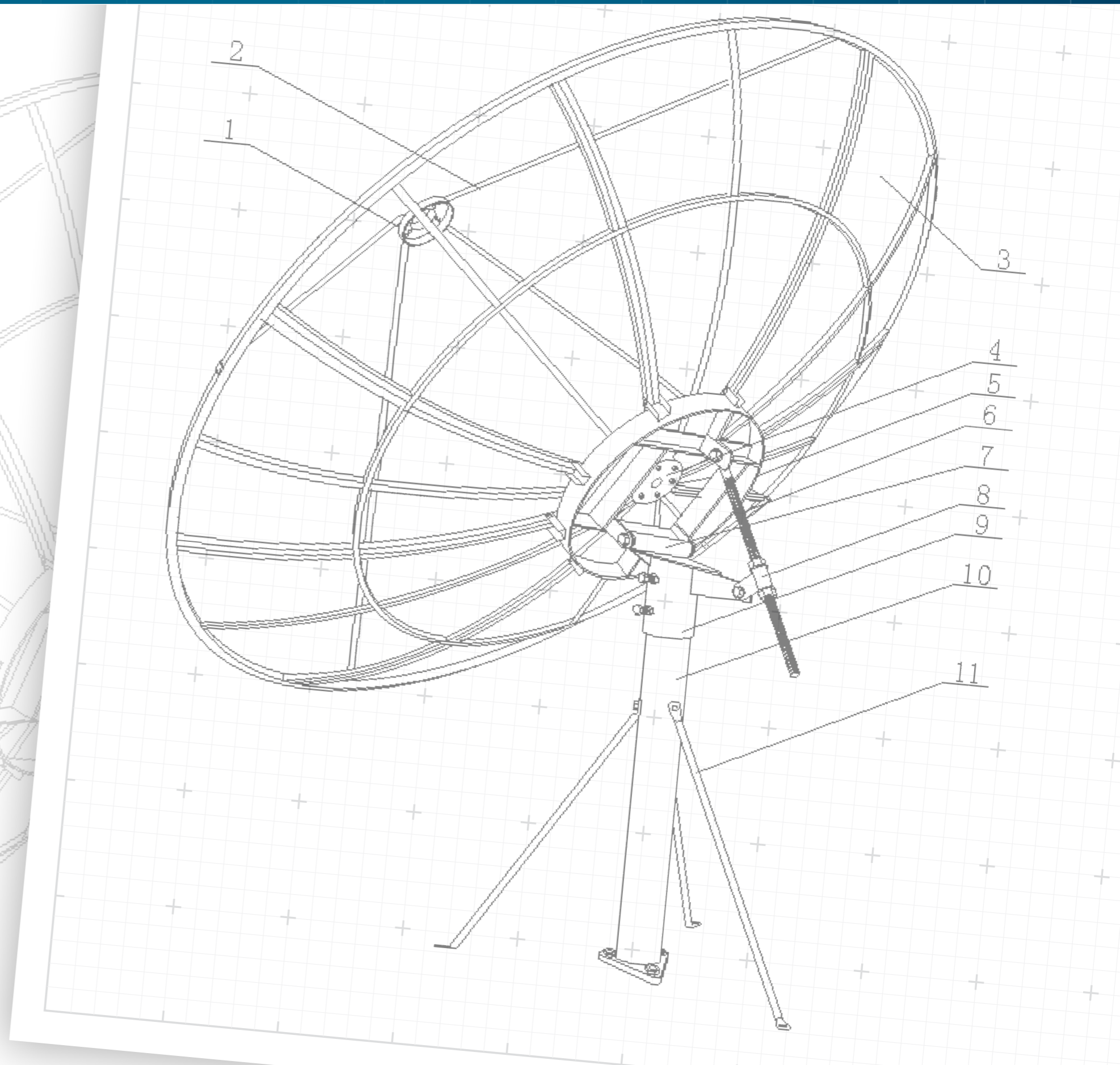
- 2
- ▶ DESIGNING AND MANUFACTURE OF DIFFERENT HF, VHF RADAR STATIONS
- ▶ DESIGNING AND MANUFACTURE OF MOBILE TROPOSPHERIC SCATTERS
- ▶ DESIGNING AND MANUFACTURE OF COMMUNICATION FACILITIES AND CRYPTOGRAPHIC INFORMATION PROTECTION FACILITIES





RADIO COMMUNICATION

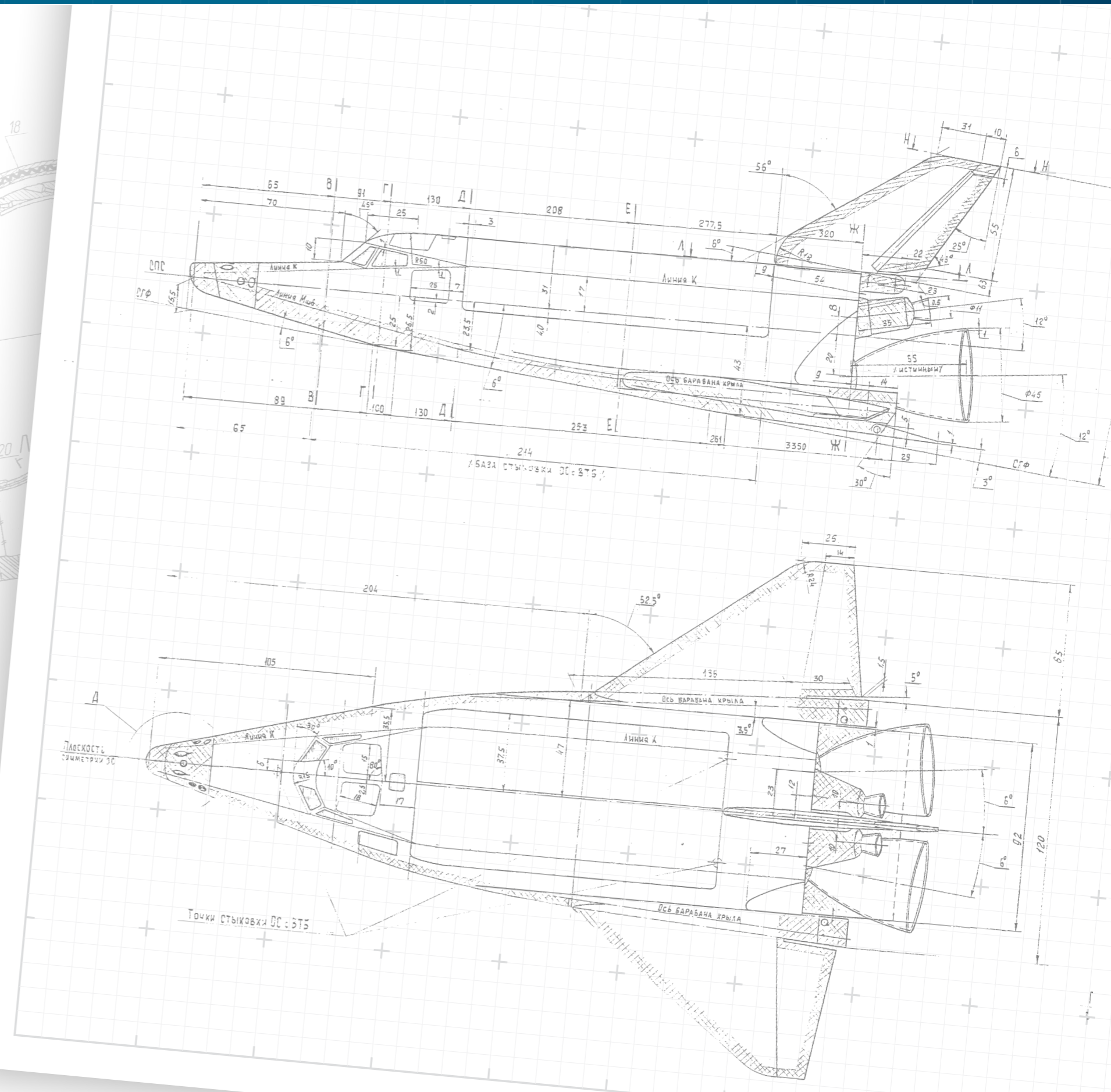
- ▶ DESIGNING AND MANUFACTURE OF SINGLE-PURPOSE COMMUNICATION FACILITIES
- ▶ DESIGNING OF ADVANCED RADAR STATIONS
- ▶ DESIGNING AND MANUFACTURE OF ACTUATING EQUIPMENT, PRODUCTION OF ANTENNA SYSTEMS WITH DIFFERENT MIRROR DIAMETER FOR GROUND SATELLITE TELEVISION AND COMMUNICATION STATIONS





SPACE SYSTEMS

- ▶ EQUIPMENT FOR PROCESSING OF REMOTE GROUND SOUNDING AND GUIDANCE OF ANTENNA SYSTEMS
- ▶ MULTISPECTRAL SCANS OF REMOTE SOUNDING OF THE EARTH FROM THE SPACE IN VISIBLE AND INFRARED OPTICAL RANGES
- ▶ ADVANCED SYSTEMS OF NAVIGATION AND CONTROL OF OBJECTS MOVEMENT, CONTROL SYSTEMS OF MOBILE OBJECTS ON THE LAND, AT THE SEA, IN THE AIR AND SPACE USING SPACE TECHNOLOGY AND SYSTEMS
- ▶ ON-BOARD EQUIPMENT FOR DATA ACQUISITION, COLLECTION AND COMPRESSING
- ▶ CONTROL EQUIPMENT

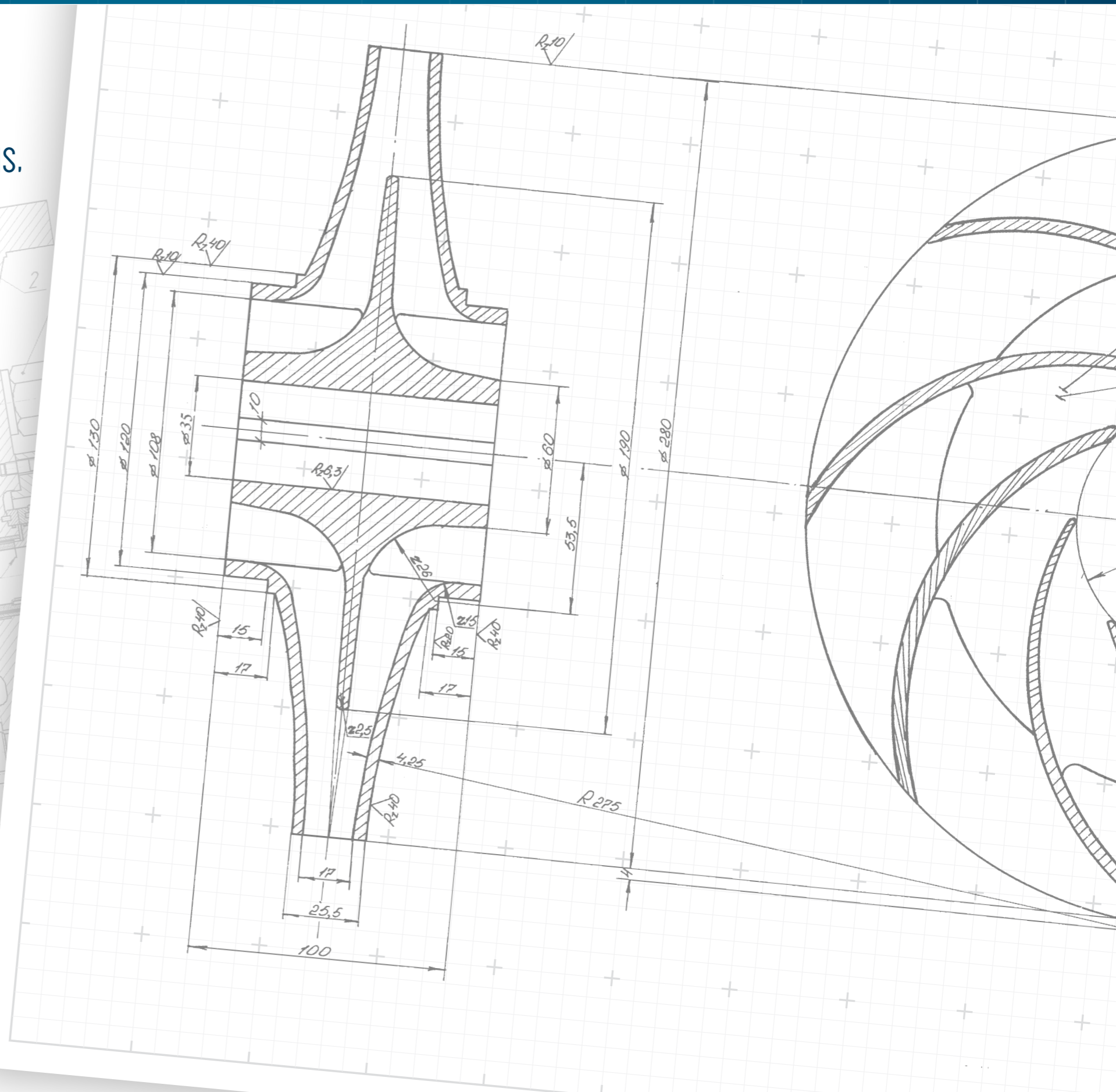




AGGREGATES

FOR HYDRAULIC SYSTEMS OF AIRCRAFTS, SPACE SYSTEMS, MILITARY VEHICLES AND SHIPBUILDING

- ▶ ADJUSTABLE AND NON ADJUSTABLE AXIAL PISTON PUMPS WITH PUMPING CAPACITY FROM 2 TO 200 L/MIN WITH PRESSURE UP TO 35 MPAS
- ▶ HYDRAULIC MOTORS WITH MOMENT FROM 2 TO 150 NM
- ▶ HIGH SPEED (UP TO 30 000 ROTATIONS / MIN) AXIAL PISTON PUMPS
- ▶ ELECTRIC PUMP STATIONS WITH PRESSURE UP TO 28.0 MPAS AND PUMPING CAPACITY FROM 2 TO 80 L/MIN

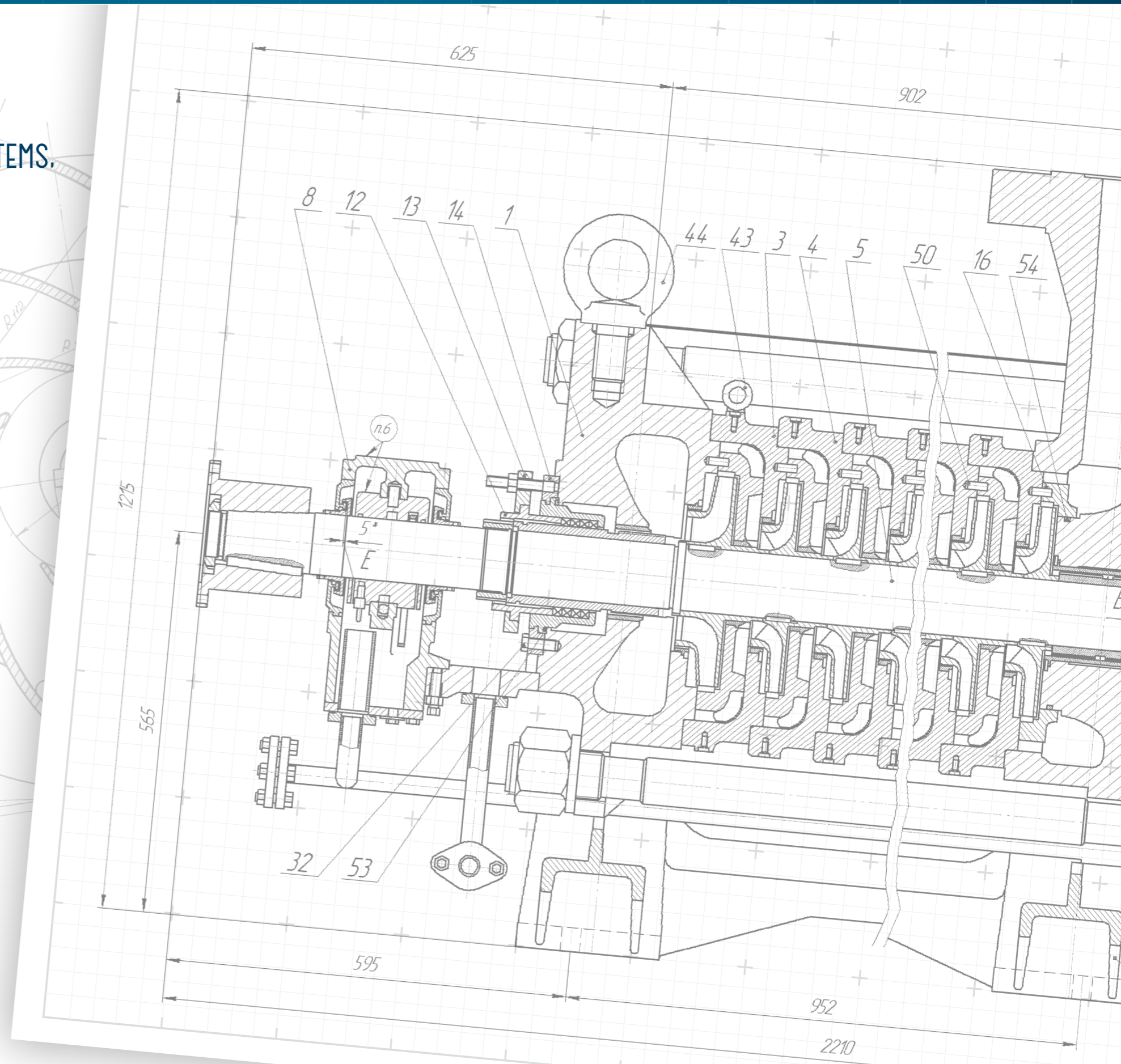




AGGREGATES

FOR HYDRAULIC SYSTEMS OF AIRCRAFTS, SPACE SYSTEMS, MILITARY VEHICLES AND SHIPBUILDING

- ▶ SELF-PROPELLED ELECTROHYDRAULIC DRIVES WITH ACTUATING FORCE UP TO 100 KNM FOR AVIATION
- ▶ ELECTROMECHANIC DRIVES WITH ACTUATING FORCE UP TO 10 KNM FOR AVIATION
- ▶ RUDDER SYSTEMS ON MOMENT
- ▶ HYDRAULIC TORQUE CONVERTORS
- ▶ HAND-FORCE PUMPS
- ▶ HYDRAULIC VALVES EQUIPMENT
- ▶ HYDROSTATIC DRIVES
- ▶ FUEL METERING EQUIPMENT





“UKRINMASH”

36, Dehtiarivska str.,

Kyiv, 04119, Ukraine

Tel.: +38(044) 461-92-75

+38(044) 483-36-56

Fax: +38(044) 461-92-73

uim@uim.kiev.ua

www.ukrinmash.com/en/